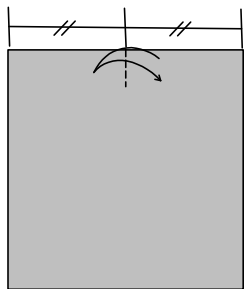


Pureland Ψ

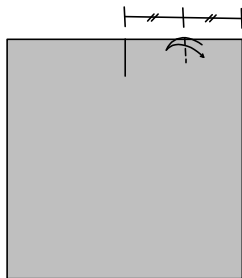
©2008 Sy Chen

Designed and diagrammed on 12/9/2008;
A response to the request of Daniel Thomas
from Origami-L mailing list.

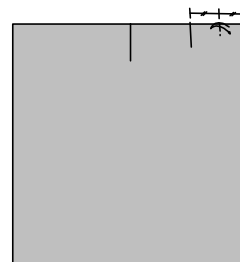
1. Start from a duo-color square with symbol
color side facing up; Fold and unfold.



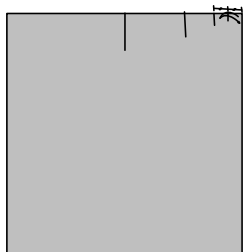
2.



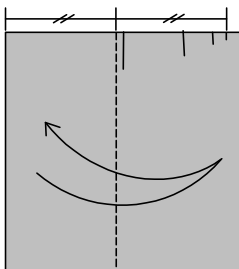
3.



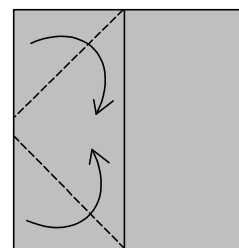
4. This pinch marks 1/16 of the width
of the square.



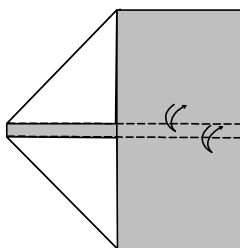
5.



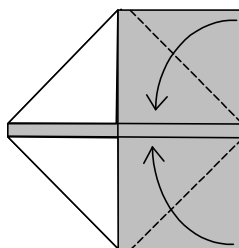
6.



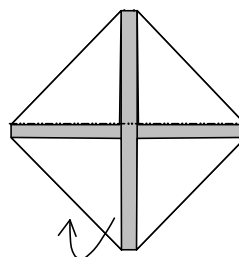
7.



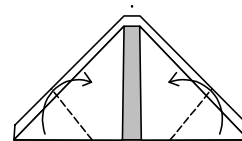
8.



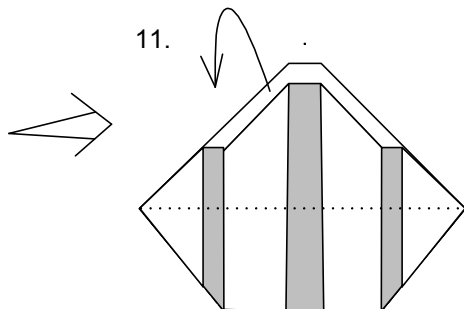
9.



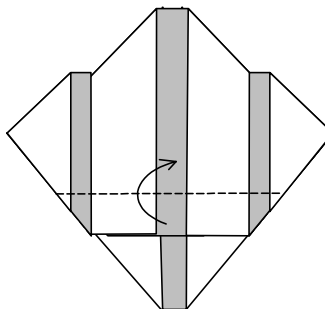
10.



11.



12.



13. Finished.

