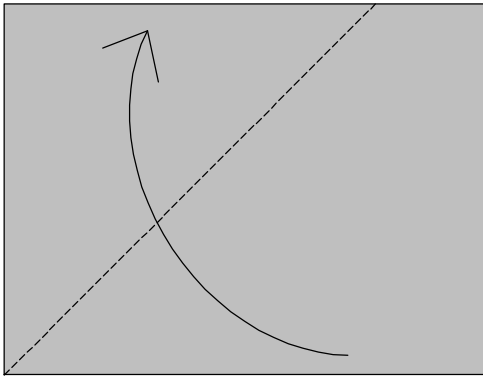


# Foot Long Ruler

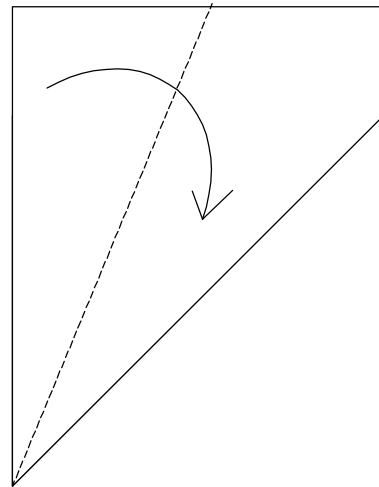
© 2010 Sy Chen

Designed on 5/17/2010 and diagrammed from 5/17/2010 to 5/18/2010.  
I had the hard time to find my plastic rulers at home.

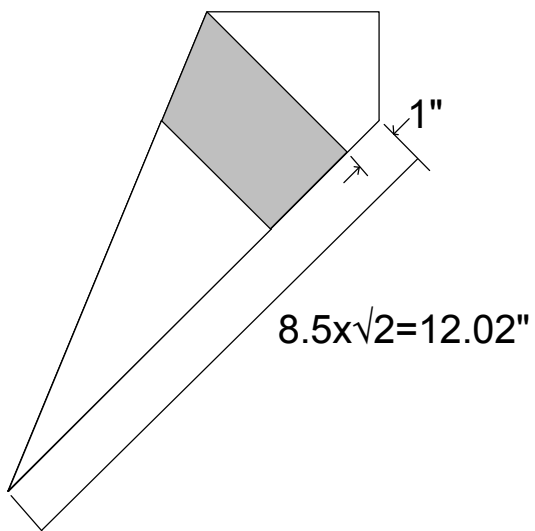
1. Start from any letter sized (8.5" x 11") paper at hand. Angle bisect one lower corner.



2. Angle bisect the lower corner again.



3. Use the one inch mark to obtain the rest of the inch mark creases.



4. Finished foot long ruler. The error is 0.17% compared to 12 inch length.

