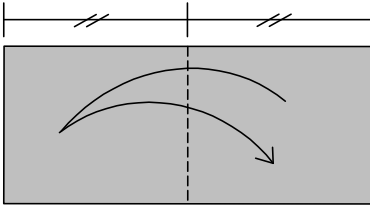


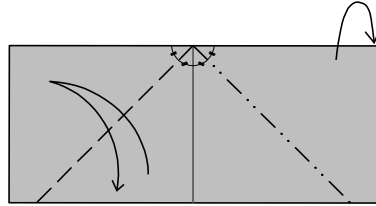
# \$2 Square

Designed and diagrammed on 3/22/2013  
Two real US dollar bill makes a 3.69 inch square.  
This version of the square is smaller than my first attempt. But this one has better finished pattern.

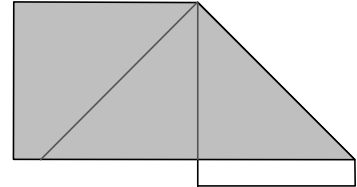
1. Start from a US bill with either side facing up.



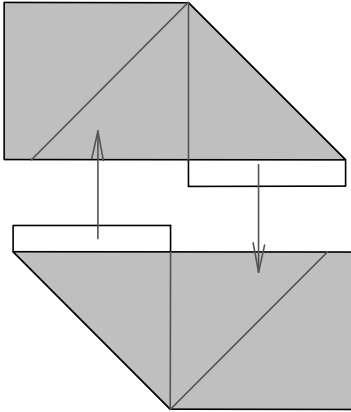
2.



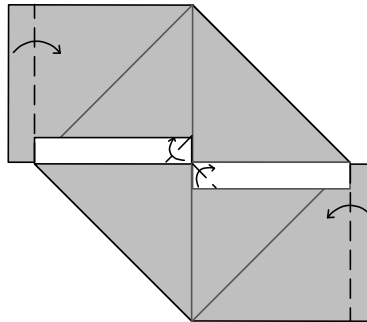
3. Finished unit; Make another one.



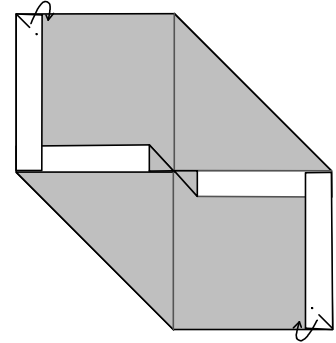
4. Put them together.



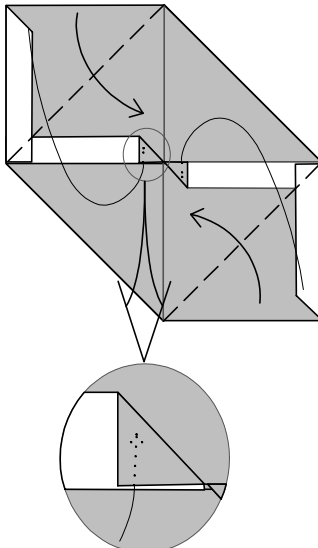
5.



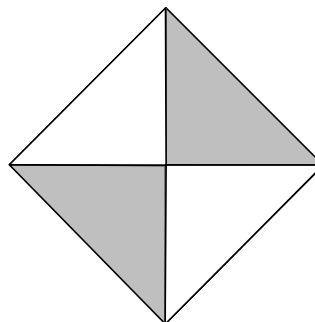
6.



7. Tuck into the triangular hook to secure the fold.



8. Finished.



turn over

